

Signal indicator MCL-WS-03

APPLICATION

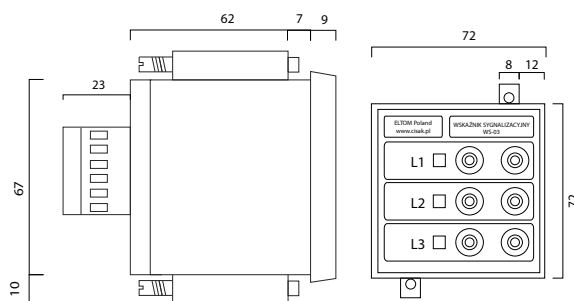
The signal indicator is intended for permanent and safe signaling of the presence of voltage on the busbars in medium voltage switchgears. Signaling the presence of voltage helps to prevent unintentional grounding of energized busbars. The indicator is adapted to work with measuring insulators equipped with capacitive or resistance dividers.

Indicator continuously indicates the presence of current in the circuits of the three inputs, which connects the output of the measuring insulators. Input circuit clamps are located on the rear panel. The front panel includes banana type jacks connected directly to the input clamps on the rear panel. Slots are located next to the signals indicating the presence of current in the circuit inputs. Sensitivity of indicator was chosen in order to clearly indicate the presence of current in range 30 to 150 A. For individual orders we make indicators of any sensitivity from 5 A to 1 mA.

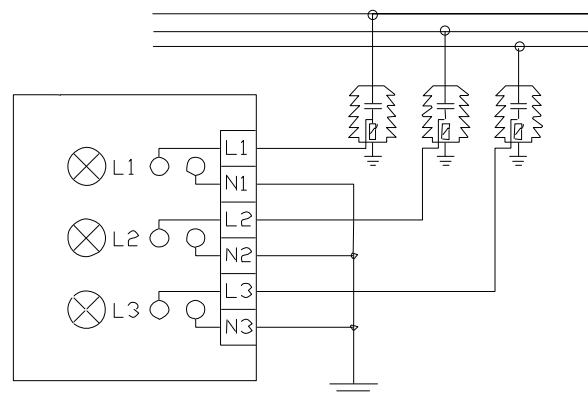


DIMENSIONS AND MOUNTING

Total dimensions without side clamps: 72x72x94mm, hole in the mounting plate: 68 x 68 mm. Fixing the relay allows to put it in a plate, which extends outward 11 mm, maximum thickness of 7 mm.



Dimensions of MCL-WS-03



Wiring diagram of MCL-WS-03