

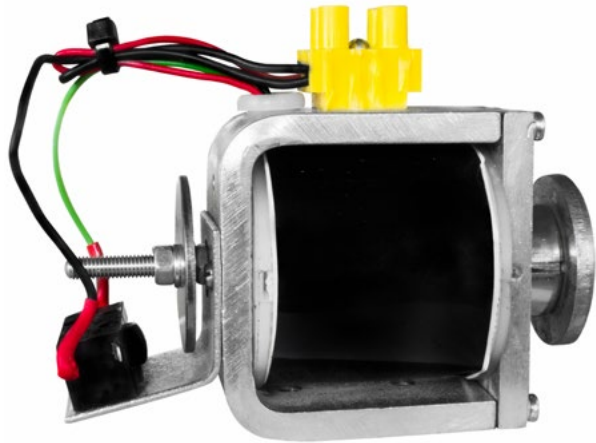
# Electromagnetic lock

## NW2 3-A00-02

### APPLICATION

Electromagnetic lock type NW2 3-A00-02 is designed for locking the devices of all kinds in closed and open condition, allowing proper maneuvering of them in a system of control and locks.

The coil of an electromagnet is designed for continuous operation. The electromagnet is designed for operation in indoor equipment. The design of of the electromagnet type NW2 3-A00-02 allows you to lock and unlock the device continuously energized. In the electromagnet the limit switch was used (2 connectors NO, NC). NO contact can be used to indicate the position of of the electromagnet.

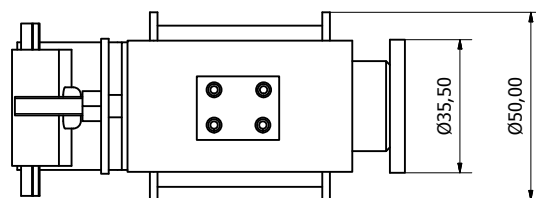
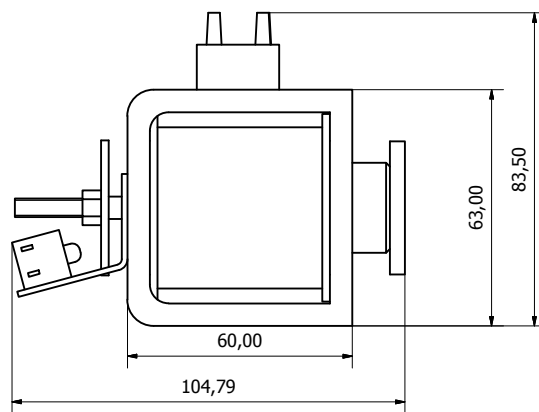


### ADVANTAGES

- » effective blocking the devices
- » easy operation
- » simple mounted on a construction of the drive
- » solid metal construction
- » galvanized steel elements

## CONFIGURATION OF NW2 RELEASES

Release	Wire diameter [mm]	Number of coils	Resistance [ $\Omega$ ]	Voltage
NW2-3A-00-01	0,18	4 500	345	220 V=
	0,05	20 000	23 300	
NW2-3A-00-02	0,25	2 500	100	110 V=
	0,08	10 000	4 500	
NW2-3A-00-03	0,35	1 000	22	60 V=
	0,1	5 000	1 450	
NW2-3A-00-04	0,35	1 000	22	48 V=
	0,1	5 000	1 450	
NW2-3A-00-05	0,5	450	4,7	24 V=
	0,12	3 000	590	
NW2-3A-00-06	0,25	1 500	57	220 V~
	0,05	2 x 11 000	6 000	
NW2-3A-00-07	0,35	750	15,6	100-110 V~
	0,08	2 x 6 500	1 420	
NW2-3A-00-08	0,25	1 500	57	220 V~
	0,05	2 x 11 000	6 000	
NW2-3A-00-09	0,35	750	15,6	100-110 V~
	0,08	2 x 6 500	1 420	



Dimensions of NW2 electromagnetic lock