

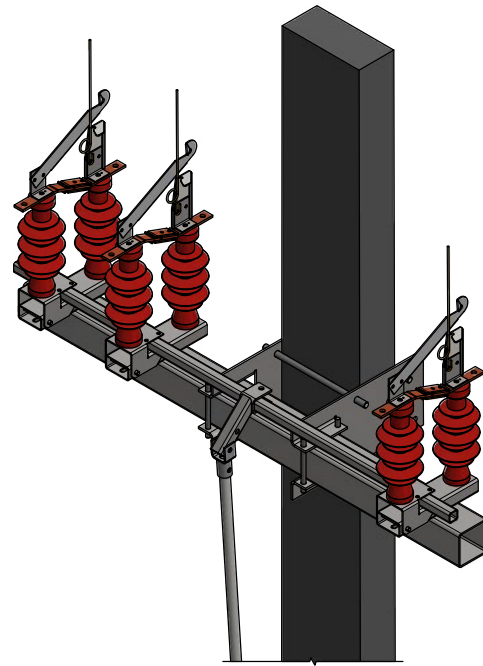
Three-pole load break switch RN 17,5 kV

APPLICATION

Three-pole outdoor load break switch RN 17,5/400 is designed for:

- » conducting continuous and short-circuit currents,
- » making switching operations in the current range which does not exceed the rated breaking current and rated making currents in outdoor medium voltage energy networks

In the open state a disconnector creates a visible and safety isolation clearance.



ADVANTAGES

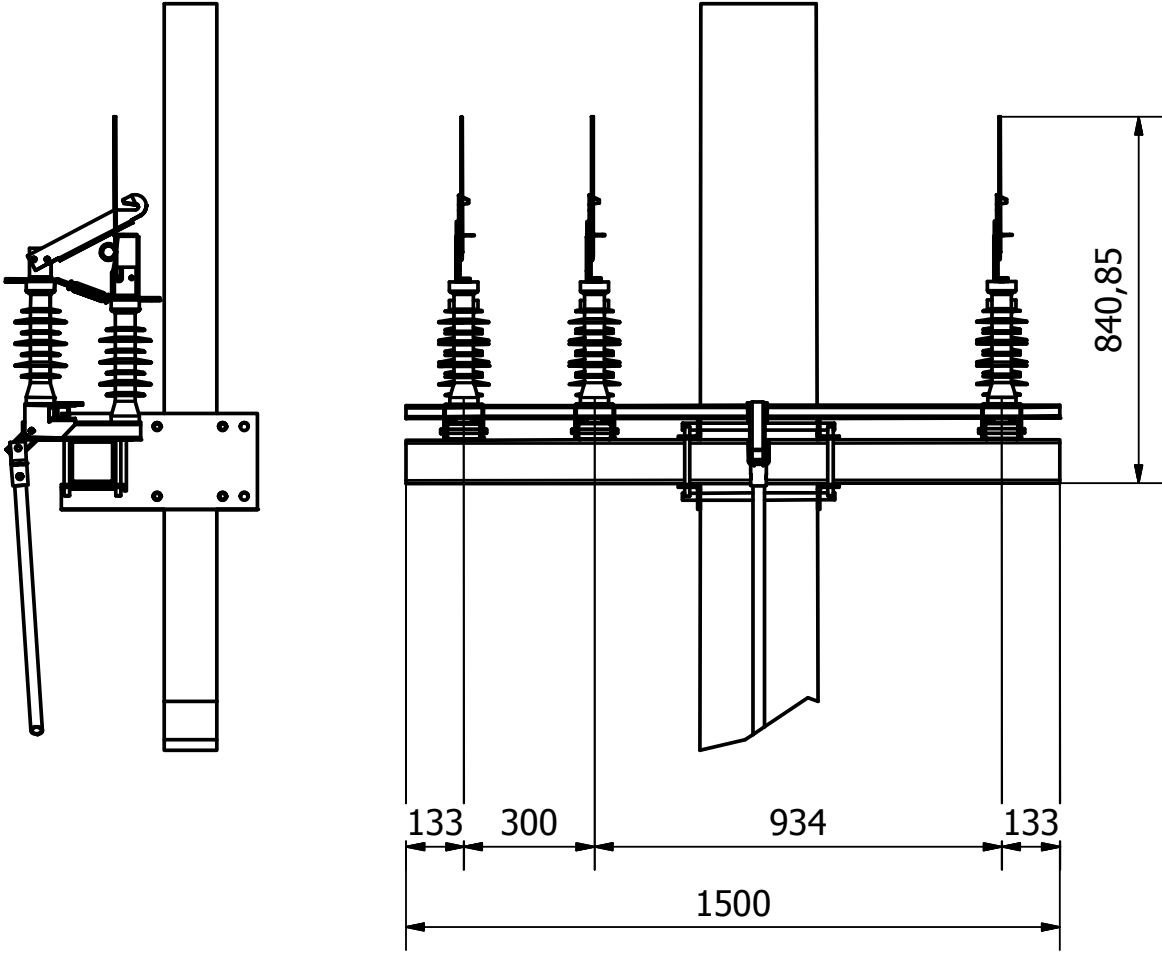
- » small size and weight
- » large rated current
- » compact construction
- » high mechanical durability
- » reliability

TECHNICAL DATA

PARAMETER	VALUE
Rated voltage/ rated current	17,5 kV
Rated continuous current	400 A
Rated short time withstand current of the lbs and earthing switch	16 kA
Rated time of the short circuit	1 s.
Rated breaking current with circuit with low inductance at a voltage of 17,5 kV/ number of switching cycles	16 A/100
Breaking current in the ring network	16 A
Rated short-circuit current of the lbs	5 kV
Mechanical durability class	M2
Mechanical durability: » lbs with manual drive » lbs with motor drive » arcing contact	» 2000 cycles » 1000 cycles » 1000 cycles
Allowed icing	10 mm
Operating temperature	-40°C up to +40°C
The angle of rotation of the main shaft	up to 192°
Weight	39 kg

CONSTRUCTION

The switch disconnecter is an electrical apparatus consisting of three monopolar segments installed on common beams. It is possible to open and close apparatus simultaneously for the three phases by the lever. Elements for extinguishing the arc are elastic arcing contacts mounted on the poles of the switch disconnecter. The busbars and movable contacts disconnectors are coated with silver, the steel parts are hot galvanized.



Dimensions of load break switch RN