

Indoor disconnector OWUS

APPLICATION

Indoor disconnectors OWUS are the devices used for connecting, disconnecting and earthing the electric circuits without load. The devices are suitable for working in traction substations and in the industry. Mounted in the chamber, the disconnecter fulfills various functions such as: isolating the positive and negative ends the assembly of transformer/rectifier, isolating the feeder from the power supply, coupling and disconnecting various of traction section. Thanks to its modular design, OWUS disconnecter provides many different combinations.

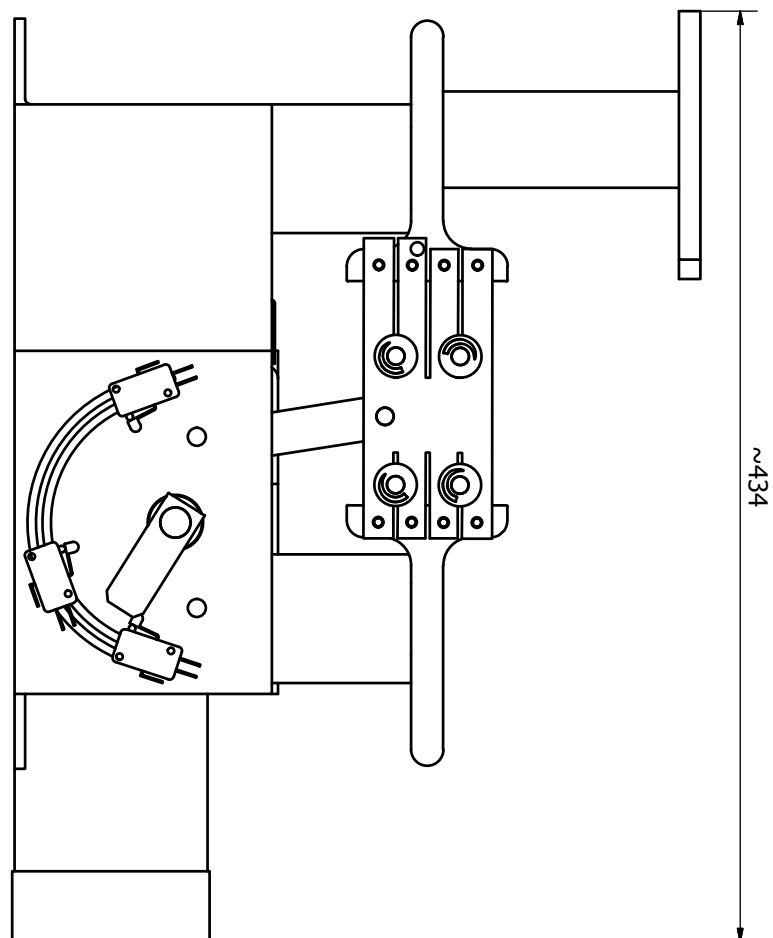
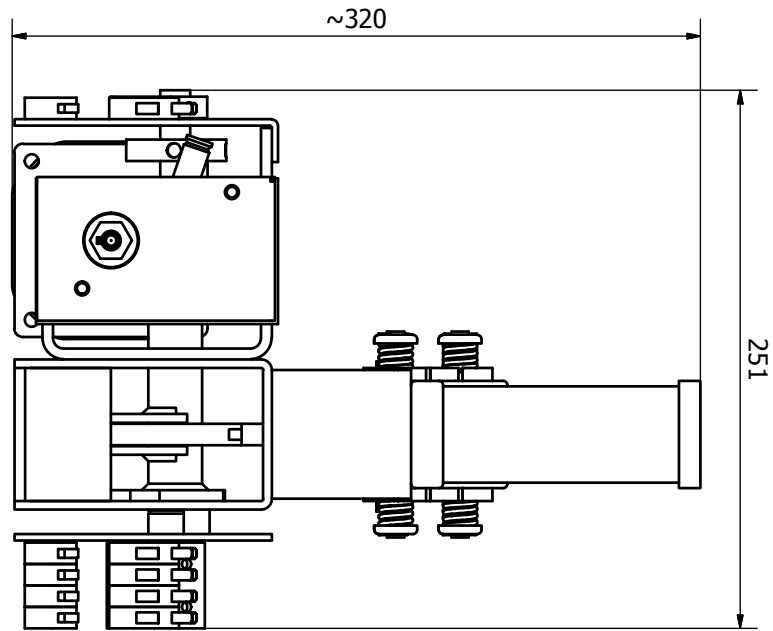


Disconnecter is designed in two configurations:

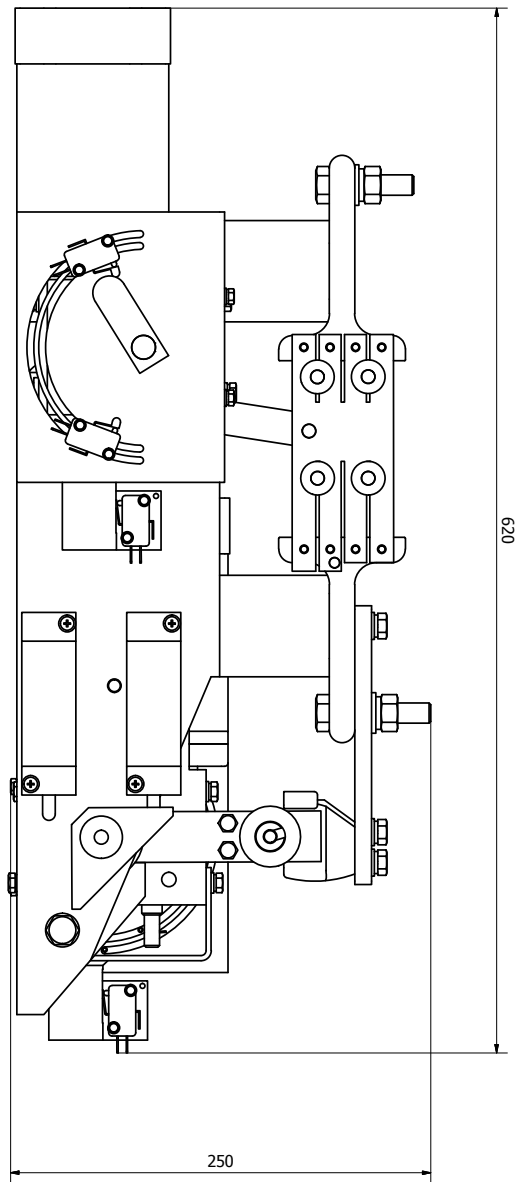
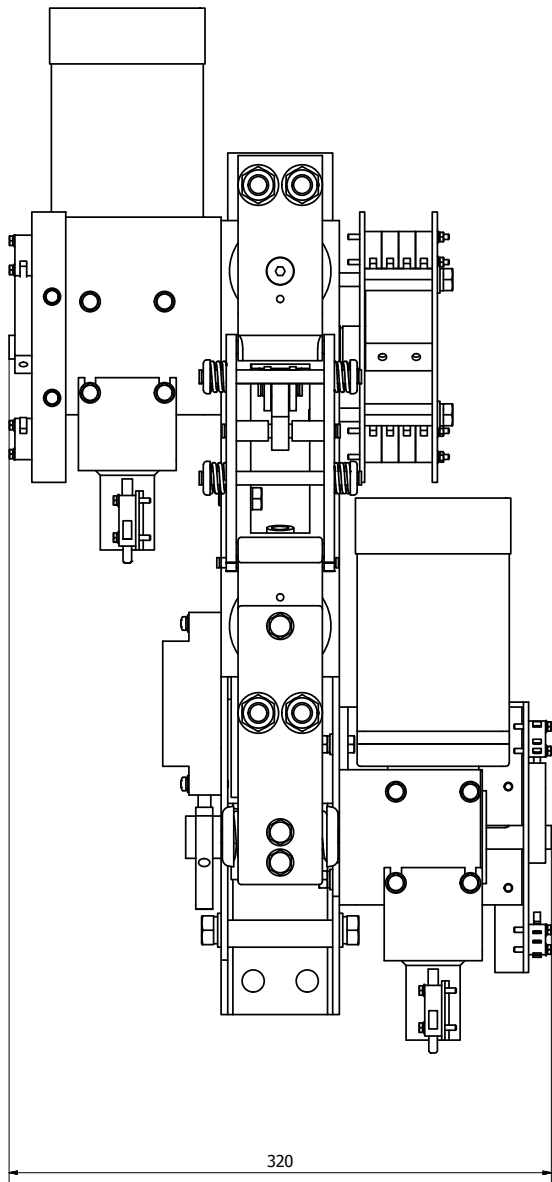
- » OWUS 1-20 with one motor drive for disconnecter and for earthing switch
- » OWUS 2-20 with two separated motor drives: one for disconnecter and one for earthing switch

ADVANTAGES

- » high resistance to short circuit
- » silver – plated contacts
- » self – cleaning contacts
- » motor or manual operating
- » compact construction
- » compliance with standards: PN-EN 50123-2:2013, PN-EN 50123-3:2003



Dimensions of OWUS 1-20



Dimensions of OWUS 2-20