

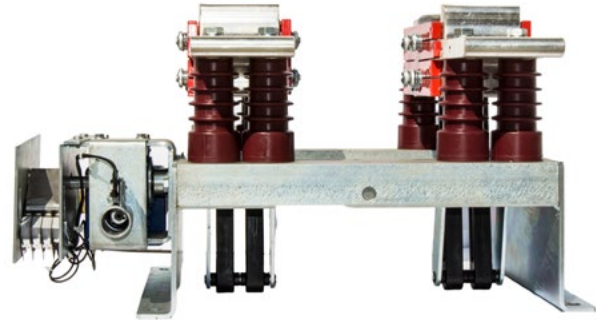
# DC indoor secant disconnecter

## OWEL

### APPLICATION

The OWEL disconnecter is an insulating disconnecter designed for closing and opening unloaded circuits in industrial DC networks. In the open position, it creates a visible and safe insulation clearance. It can be installed and operated in closed spaces, in moderate climate conditions. Closing and opening of the main busbar is made by means of a motor drive, and manually, in the event of a power outage, with an adapted crank.

The device does not need spare parts during the time of 1000 cycles.



### ADVANTAGES

- » simple and modular design
- » reliability
- » silver coated contacts
- » good parameters

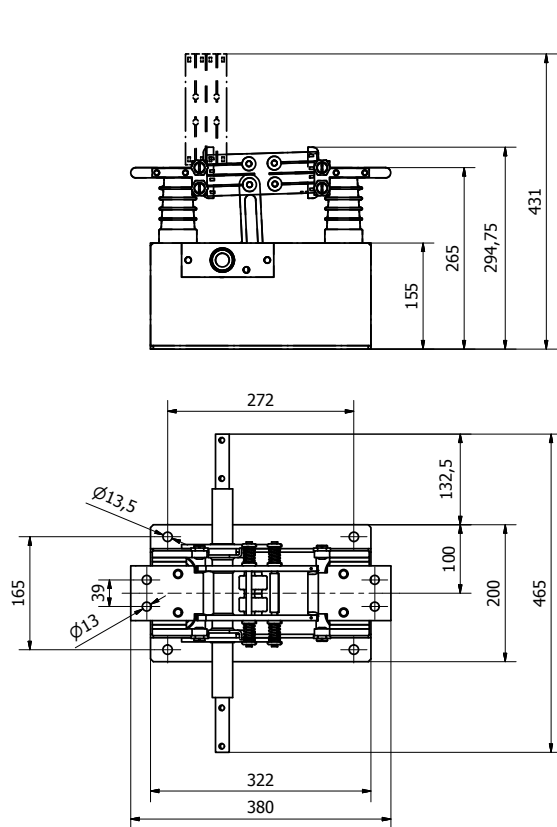
### TECHNICAL DATA

| PARAMETER                | OWEL 3-31        | OWEL 3-25 |
|--------------------------|------------------|-----------|
| Rated continuous current | 3150 A           | 2500 A    |
| Rated voltage            | 3,6 kV           |           |
| Rated current 1 sec.     | 20 kA            | 25 kA     |
| Frequency                | 50/60 Hz         |           |
| Working temperature      | -5°C up to +40°C |           |
| Weight                   | 30 kg            | 14 kg     |

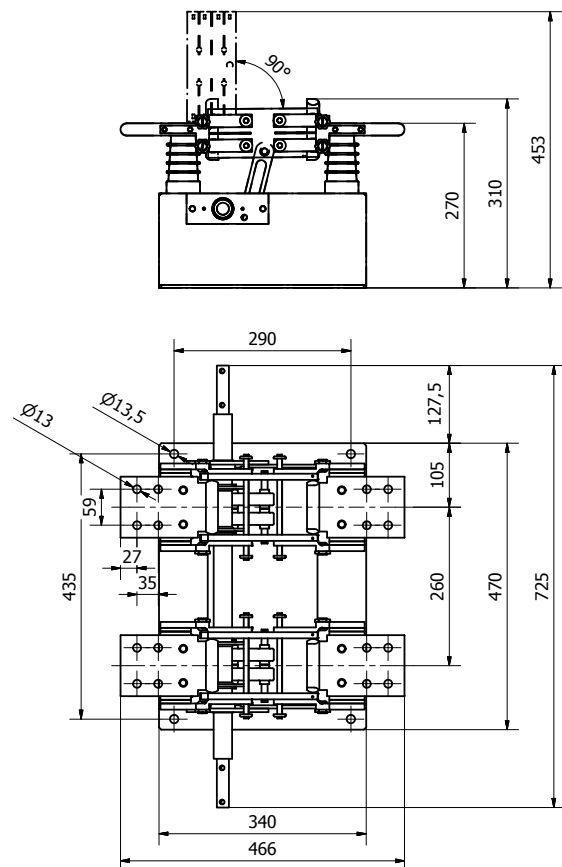
# TECHNICAL DRAWINGS

## CONSTRUCTION

The disconnectors have secant construction. The basis is made of steel and it creates the sub-assembly with the shaft and the limiters of angle of rotation of the shaft. There are signal insulators mounted in the basis, on which there is the busbar. Interpolar insulation is the air gap. Normally, the drive is mounted on the right side of the disconnector. Disconnector can operate in vertical or horizontal position. The disconnectors OWEL 3-31 and OWEL 3-25 comply with the standard PN-93/E-06107.



Dimensions of OWEL I 3-25



Dimensions of OWEL II 3-31