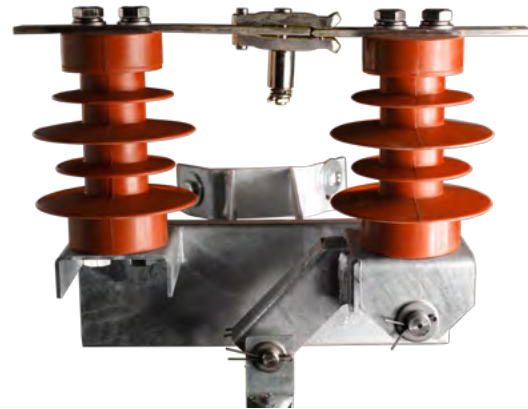


Traction disconnectors

NOT 1-01, 25-04

APPLICATION

One-pole outdoor disconnector NOT 1-01 is designed for closing and opening electrical circuits, where no current flows. In the open position creates a visible and safe insulation clearance. It is used in outdoor medium voltage switching devices for AC and DC. One pole outdoor disconnector type NOT 1-01 is used in electrical switching and disconnecting systems. Its main function is closing and opening electrical circuits where no current flows. On special request of the client the disconnector may be upgraded to run at higher performance than 300 A.



ADVANTAGES

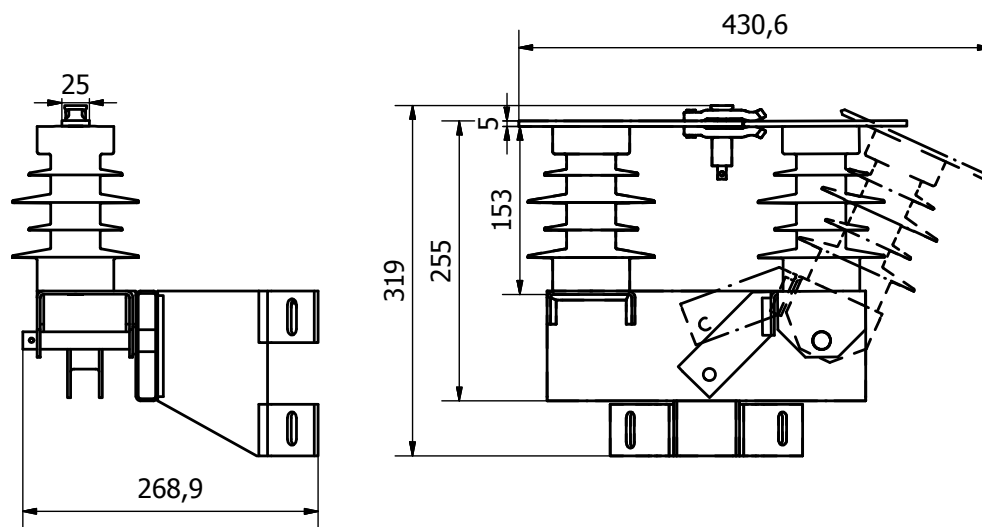
- » high short-circuit current
- » silver plated contacts
- » in the open position it creates a visible and safe isolating clearance
- » compatibility to standards PN-EN 50123-4/2000E

TECHNICAL DATA

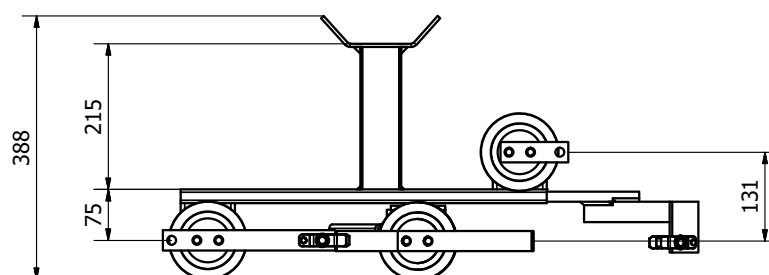
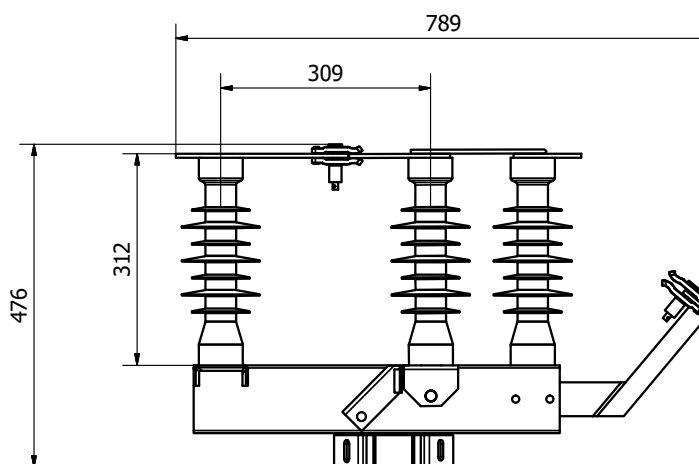
PARAMETER	VALUE		
	NOT 1-01	NOT 25-04	NOT 25-08
Rated current	300 A		800 A
Durability of switching	1 000 cycles		2000 cycles
Rated voltage	1 kV	25 kV	
Short-circuit current	25 kA		31,5 kA
Time of short circuit	1 s.		

CONSTRUCTION

Disconnector consists of steel basis on which is mounted insulator with permanent contacts. On the mobile bracket there is insulator with the contacts mounted, which create the movable part of the device. Bracket with a movable insulator is coupled by a lever's arm with a driving pipe. For maneuvering of the disconnector it can be used manual or motor drive. The entire contact system is silver plated, which helps the flow of short-circuit currents and is anti-corrosion coating.



Dimensions of NOT 1-01 disconnector



Dimensions of NOT 25-04 disconnector