

Indoor rotary disconnecter OWPS

APPLICATION

OWPS type disconnecters are devices used to connecting and disconnecting the electrical circuit without a load. Devices of this type are used in traction and in the industry. Mounted in a chamber, disconnecter OWPS meets various roles such as:

- » isolating the positive or negative end, or both assembly of transformer/rectifier
- » power supply isolation from the source of energy



ADVANTAGES

- » thermal current in open air: 1000 A up to 6300 A
- » rated voltage: 1000 VDC, 1800 VDC i 3600 VDC
- » high level of rated insulation voltage: 3000 VDC and 4800 VDC
- » high rated short-circuit strength
- » connections silver plated
- » self-cleaning contacts
- » controlled manually or by motor
- » auxiliary contacts: 1NO+1NC, 3NO+3NC, 6NO+6NC
- » compliance with standards: PN-EN 50123-2:2013, PN-EN 50123-3:2003

TECHNICAL DATA

Type	Disconnecter	OWPS
Rated voltage	1000 VDC	10
	1800 VDC	18
	3600 VDC	36
Thermal current in open air	1000 A	10
	1250 A	12
	1600 A	16
	2000 A	20
	2500 A	25
	4000 A	40
	6300 A	63
Number of poles	1	1
	2	2
Drive	manual	H
	motor	M
Drive's voltage	manual drive	0
	24 VDC	1
	220 VDC	2
	230 VAC	3
Number of auxiliary contacts	3 NO + 3 NC	3
	6 NO + 6 NC	6

CONSTRUCTION

The OWPS type disconnector is made of an aluminum base, copper busbars, silver contacts, post insulators, electrically insulating strings and a drive (motor or manual). Disconnecter equipped with electric drive can operate in vertical or horizontal position. Mounted in cells on busbars and terminal insulators for visible and safe insulation clearance.

OPERATING CONDITIONS

Min. Mechanical durability	20000 cycles
Ambient temperature	- 5 up to + 40°C
Height above sea level	1500 m
Mechanical opening time	<2 s.
Mechanical closing time	<2 s.
Level of protection	IP00

AUXILIARY CONTACTS

Auxiliary contacts are based on the main panel of the disconnecter. Contacts have 3 or 6 pairs of auxiliary contacts NO/NC.

Number of contacts	3, 6 pairs of NO/NC
Rated operating voltage	24 - 230 VDC
Rated current	0,27 A
Min. Leakage current at 24 VDC	10 mA

MARKING

Name of the disconnecter	OWPS	-	.	-	.	-	.	-	-	.	-
Rated voltage	-	18	.	-	.	-	.	-	-	.	-
Contractual current	-	-	.	20	.	-	.	-	-	.	-
Number of poles	-	-	.	-	.	1	.	-	-	.	-
Drive	-	-	.	-	.	-	.	M	-	.	-
Drive voltage	-	-	.	-	.	-	.	-	2	.	-
Number of auxiliary contacts	-	-	.	-	.	-	.	-	-	.	3
Proper marking	OWPS	18	.	20	.	1	.	M	2	.	3

EXAMPLE OF ORDER

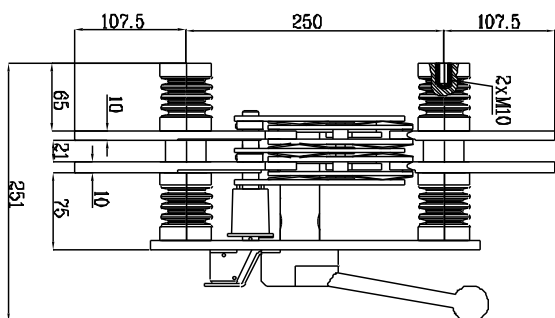
Indoor disconnecter OWPS 18.20.1.M.2:

» Indoor disconnecter, rated voltage 1,8 kV DC; rated current 2000 A, monopolar, with motor drive with operating voltage 220 V DC and with auxiliary contacts 3 NO + 3 NC

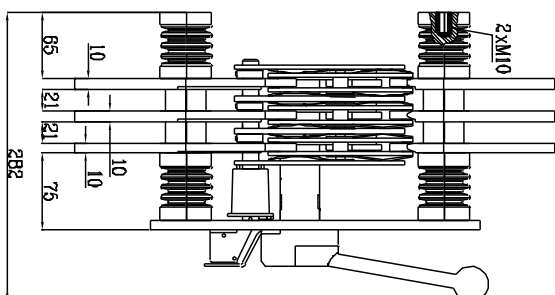
Indoor disconnecter OWPS 36.25.2.H.0.6:

» Indoor disconnecter, rated voltage 3,6 kV DC; rated current 2500 A, 2-poles, with manual drive and with auxiliary contacts 6 NO + 6 NC

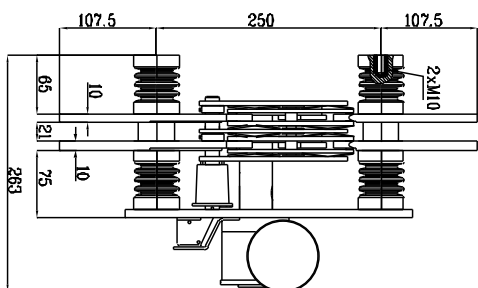
Due to technical reasons you can not combine some options and configuration in marking.



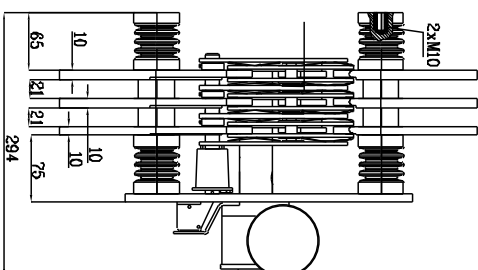
OWPST18-401-H03



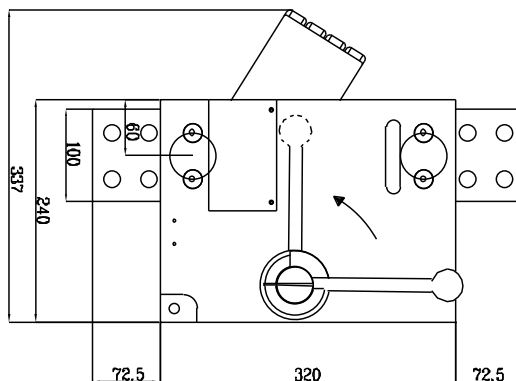
OWPST18-641-H03



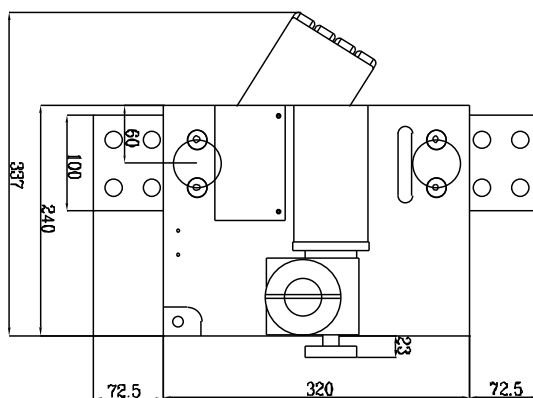
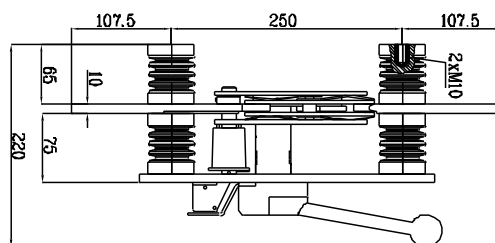
OWPST18-401-M23



OWPST18-641-M23



OWPST18-201-H03



OWPST18-201-M23

