

Outdoor traction switch disconnecter NRT-EL 3,6/3600

APPLICATION

One – pole outdoor traction LBS NRT – EL 3,6/3600 is designed for opening and closing electric circuits, conducting of direct and short circuit currents and performing switching operations in the current range which does not exceed the maximum rated current of the switch.

ADVANTAGES

- » high rated current
- » silver plated contacts
- » high resistance to weather conditions
- » in open position it creates visible and safe isolating clearance
- » compliance with the standard PN-EN 50123-4:2000E



CONSTRUCTION

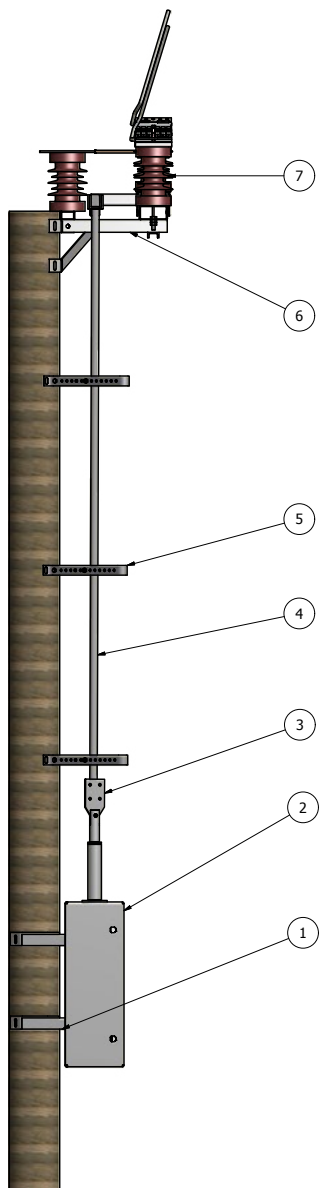
Switch disconnecter includes steel basis (rigid and mobile), copper busbars, contacts, outdoor insulators, arcing horns providing arc suppression. The copper parts are silver plated, the steel parts are zinc plated, and the connecting parts are made of stainless steel. The device opens by connecting the lever with the motor drive with the aid of string.

TECHNICAL DATA

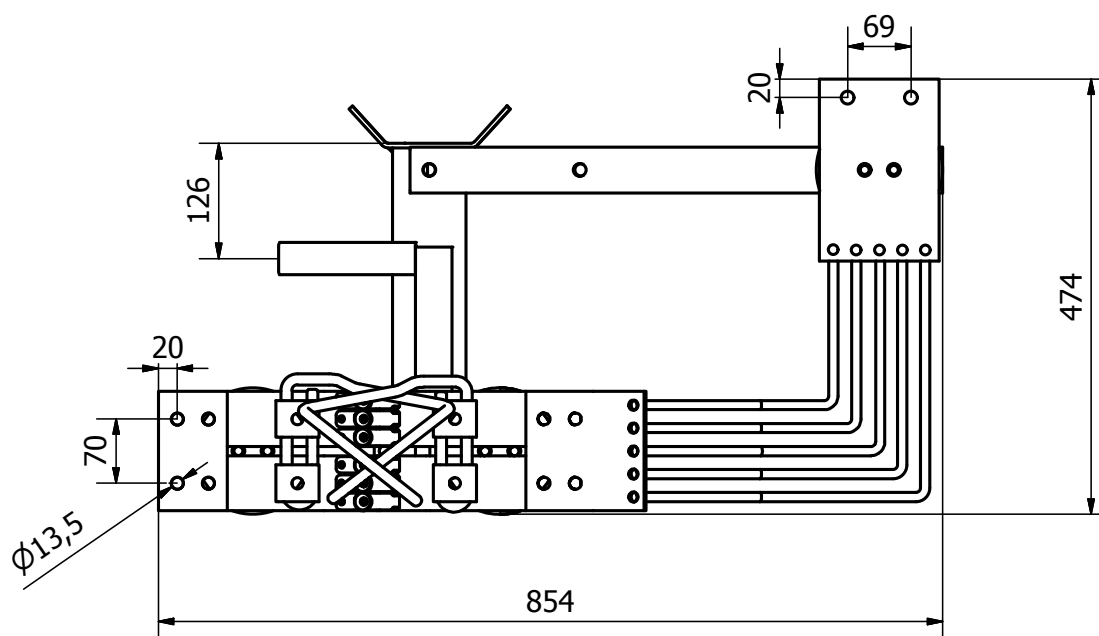
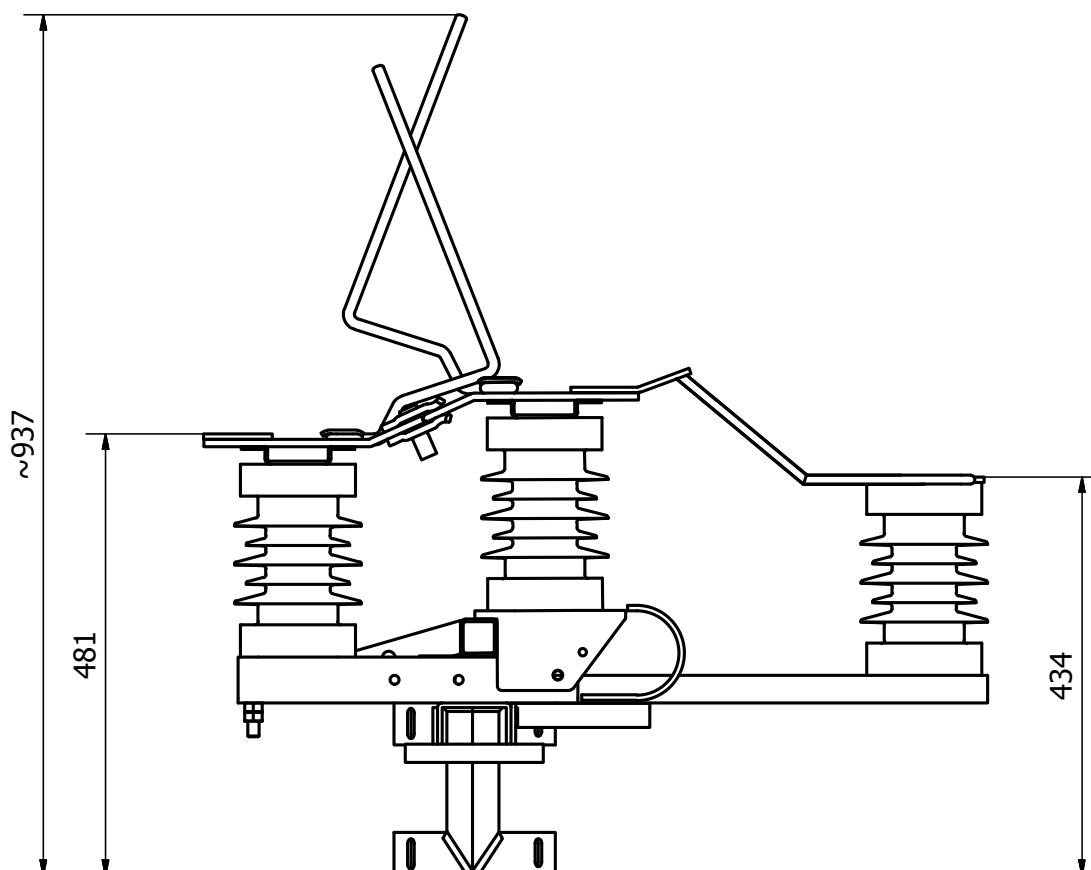
PARAMETER	VALUE
Rated current (switchable and breaking)	4000 A
Durability of switching elements	min. 16 cycles
Rated direct current	3600 A
Rated voltage	3,6 kV
Short circuit current	50 kA
Short circuit time	0,25 s.
Operating temperature	- 25°C up to 40°C
Weight	36 kg

OPTIONAL ACCESSORIES

The switch disconnecter can be equipped with additional accessories. The available options are shown on the right.



1	supporting structure of the drive
2	NSN drive
3	mounting plate
4	driving string
5	slideway of the string
6	supporting structure
7	NRT switch disconnecter



Dimensions of NRT-EL switch disconnector