

# DC indoor earthing device UWPS

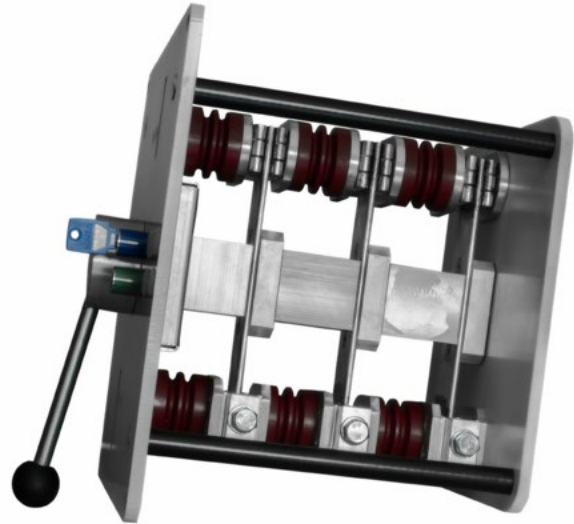
## APPLICATION

UWPS earthing device is the grounding device for a voltage of 4800 V, in case of a short-circuit it protects the operator and switching apparatus. UWPS is mounted in electric locomotive. It may connect with each other up to eight receivers by the lever. Receivers can be fixed by a bolt M12 at both sides of the earthing device.

The earthing device is equipped with a mechanical key lock (KABA) compatible with other devices in the engine room. Key lock eliminates accidental, unauthorized or incorrect adjustment of grounding contacts,

and for signaling the position of the earthing switch's blades correspond gilded limit switches.

The device with its compact dimensions and the possibility of grounding the high voltage is ideal for rail vehicles. The device is compliant with IEC60077-1/-2.



## ADVANTAGES

- » the ability to choose the number of connections
- » mechanical lock by keys
- » compatibility
- » silver plated contacts
- » gilded signaling limit switch

## CONSTRUCTION

The basis of the device is an aluminum plate made with a suitable punching. It is the control panel for the operator. On insulators there are attached grounding contacts, made of copper and silver plated. On a rotating shaft there are movable earthing contacts, the whole is closed by plate.

## TECHNICAL DATA

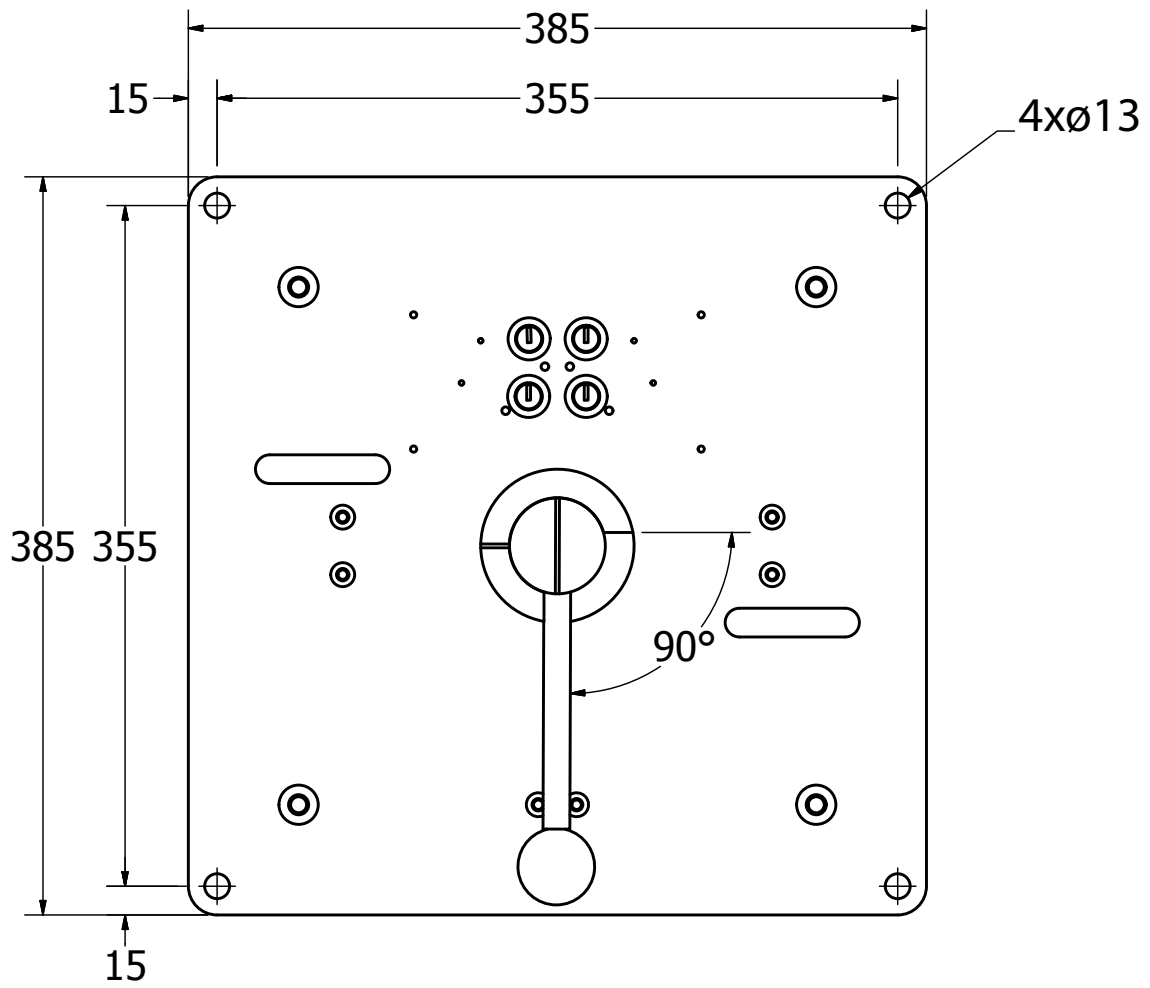
PARAMETER	VALUE
Rated voltage of insulation	4,8 kV AC/DC
Number of connections	2; 4; 6; 8
Withstand rated short time current	63/25/1 AC [kA]/[kA]/[s]
	63/44/0,25 DC [kA]/[kA]/[s]
Category of overvoltage	OV4
Operating	manual
Type of limit switches	changeover
Operating temperature	-40°C up to + 70°C
Height above the sea level	< 1400 m.
Min. Number of cycles	20 000

## MARKING

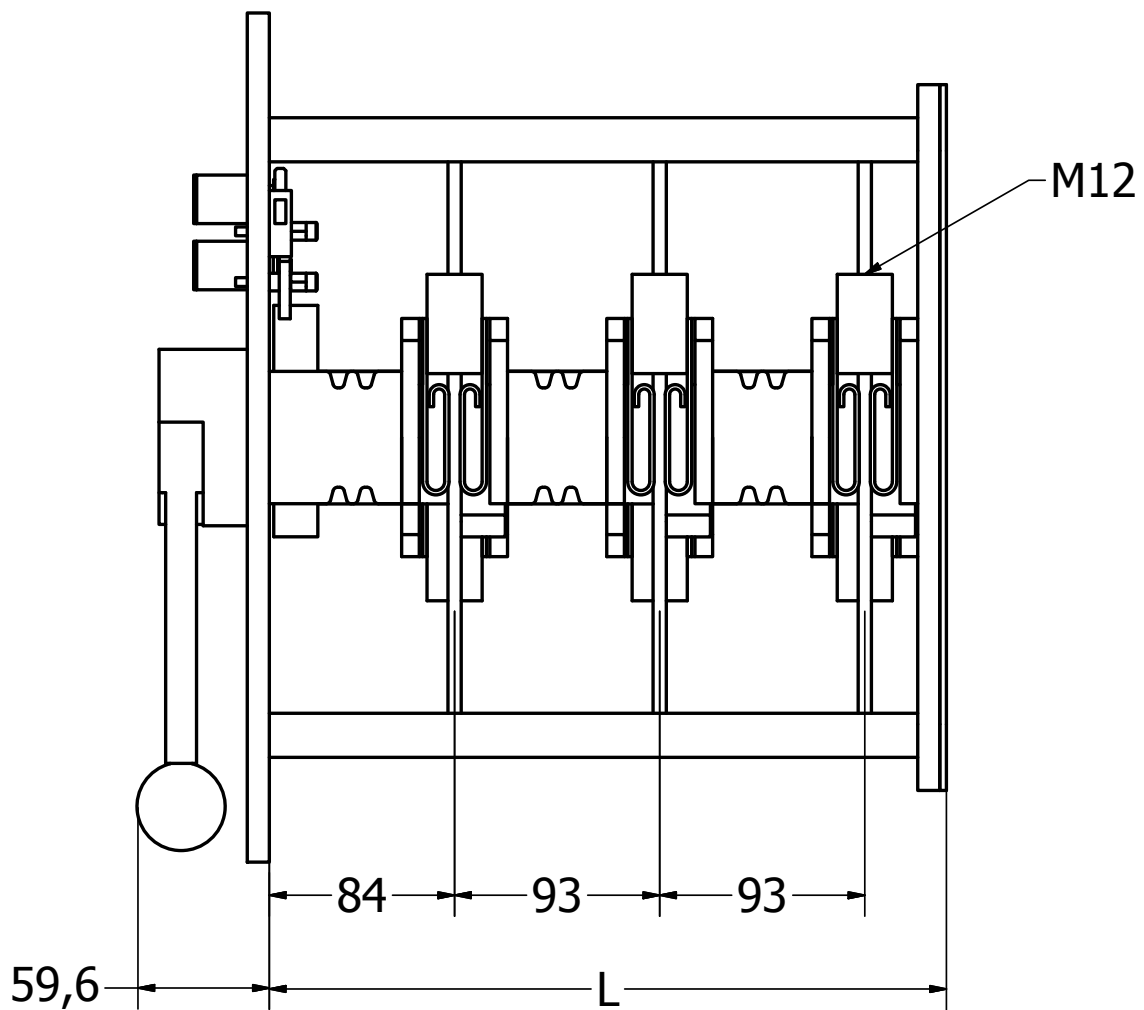
Symbol	UWPS	-	-	-
Rated voltage of insulation	-	4,8	-	-
Number of connections	-	-	6	-
A set of keys	-	-	-	A
Proper marking	UWPS	4,8	6	A

## THE AVAILABLE OPTIONS ARE SHOWN BELOW

	PARAMETER	PROPER MARKING
Symbol	EARTHING DEVICE	UWPS
Rated voltage of insulation	4,8 kV AC/DC	4,8
Number of connections	2	2
	4	4
	6	6
	8	8
Number of auxiliary limit switches	2	2
	4	4
	-	X
A set of keys	1 blue + 1 yellow	A
	1 blue + 2 yellow	B
	1 yellow + 1 green	C
	1 yellow + 2 green	D
	1 green + 1 black	E
	1 green + 2 black	F



Dimensions of UWPS



Number of connections	Dimension "L" [mm]
2	121
4	214
6	307
8	400