

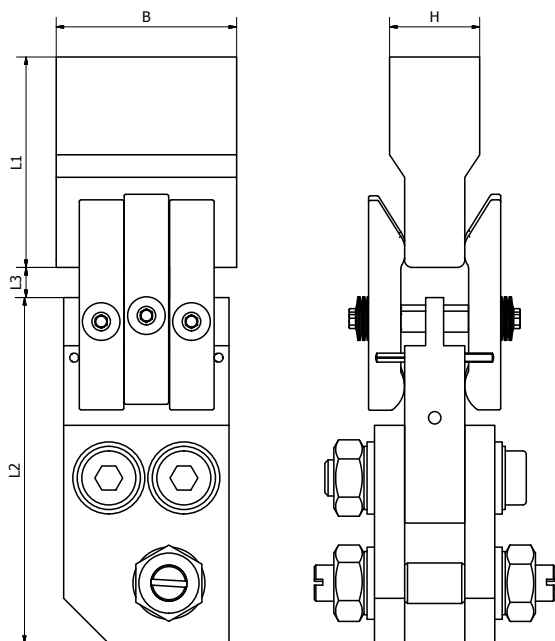
High current contact SPS

APPLICATION

The contacts are used for current conduction (intensity 630 up to 6300 A). They are also used when constructing the switchgears, trams, trolleybuses, trains etc. Silver – plated they create strong connector. There is a possibility to create the product for the specific needs.



TECHNICAL DATA



[A]	No. of connecting pairs	H [mm]	B min [mm]	L1 [mm]	L2 [mm]	L3 [mm]
630	1	10/20/30	25	50	50	10
1250	2	10/20/30	40	50	50	10
2000	3	10/20/30	55	50	50	10
2500	4	20/30	70	80	80	10
3150	5	20/30	80	80	80	10
4000	6	20/30	100	80	80	10
5000	8	20/30	130	100	100	10
6300	10	20/30	160	100	100	10