

Manual drive NR-1

APPLICATION

The drive is designed for opening and closing indoor disconnectors, load break switches and earthing switches.

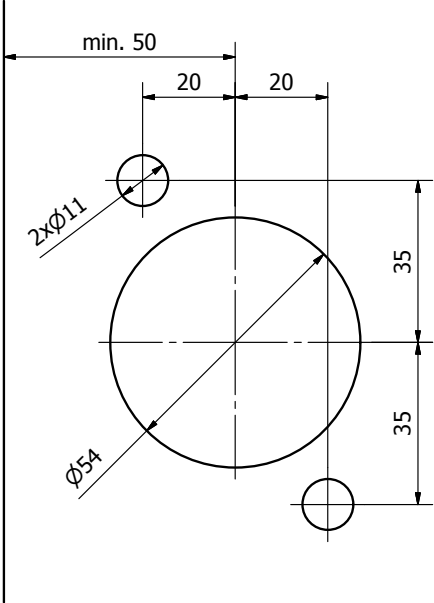
ADVANTAGES

- » plain construction
- » easy and simple configuration
- » mechanical interlocking
- » high durability and reliability
- » compact construction

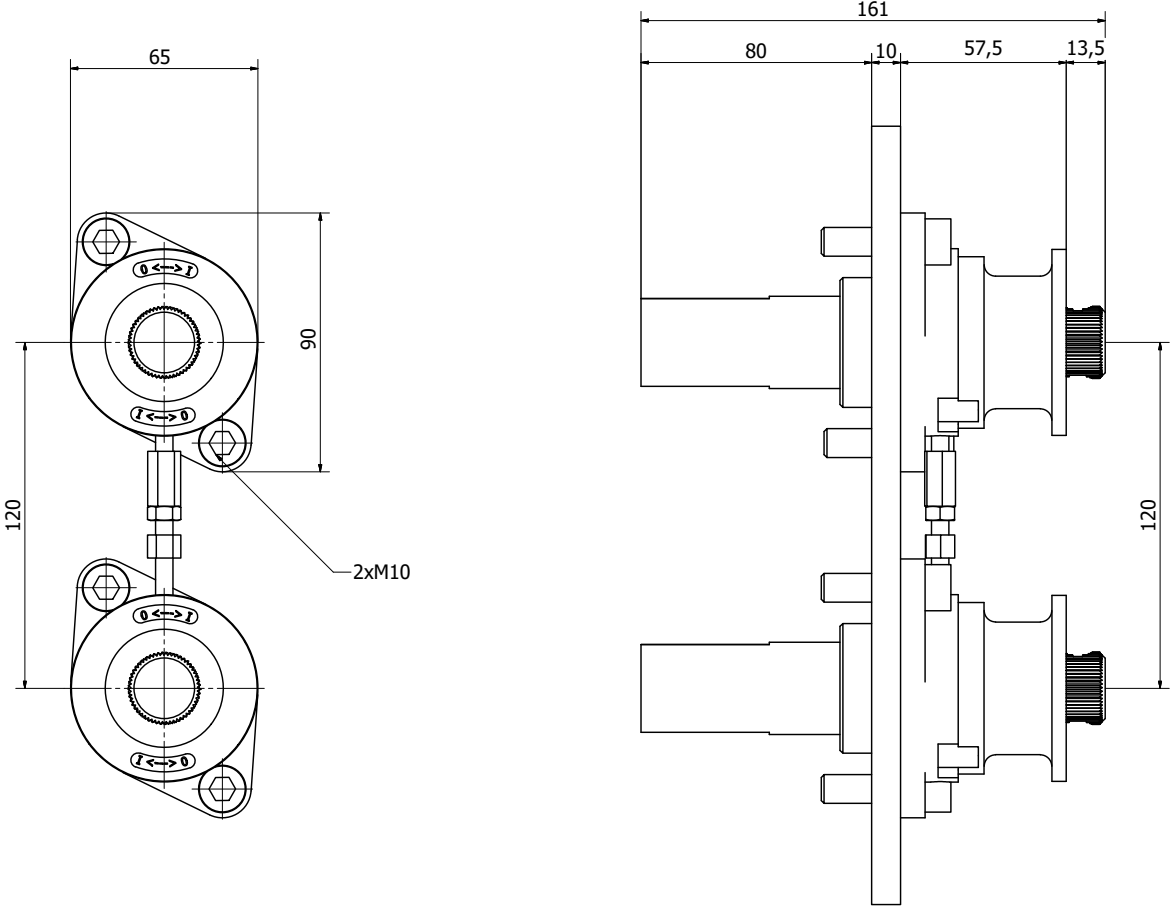


TECHNICAL DATA

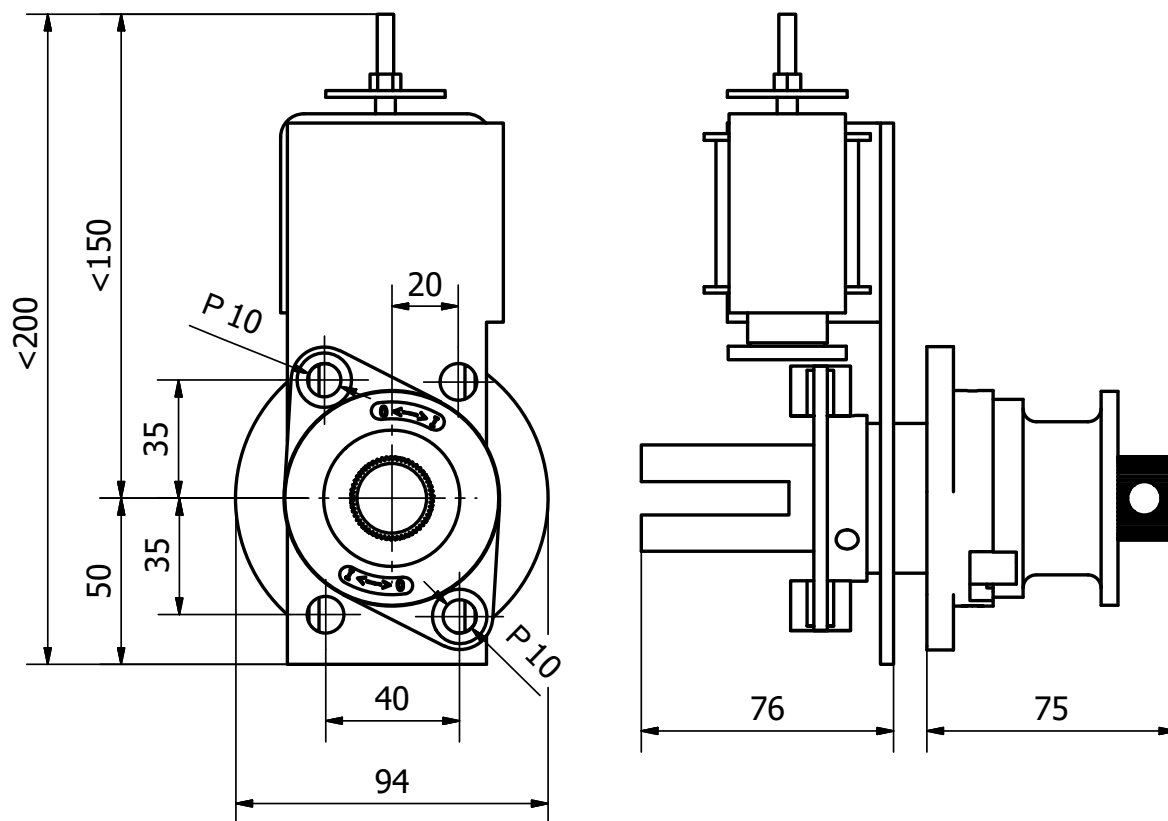
PARAMETER	VALUE
Maximum manual lever force	300 N
Shaft rotation angle	192°
Working position	any
Protection level	IP 20



Mounting holes



Dimensions of NR-1



Example of cooperation between NR-1 drive and electromagnetic lock

TABLE OF VERSIONS OF ELECTROMAGNETIC INTERLOCKS TYPE **NW2**

INTERLOCK (RELEASE)	VOLTAGE
NW2-3A-00-01	220 VDC
NW2-3A-00-02	110 VDC
NW2-3A-00-03	60 VDC
NW2-3A-00-04	48 VDC
NW2-3A-00-05	24 VDC
NW2-3A-00-06	220 VAC
NW2-3A-00-07	100-110 VAC