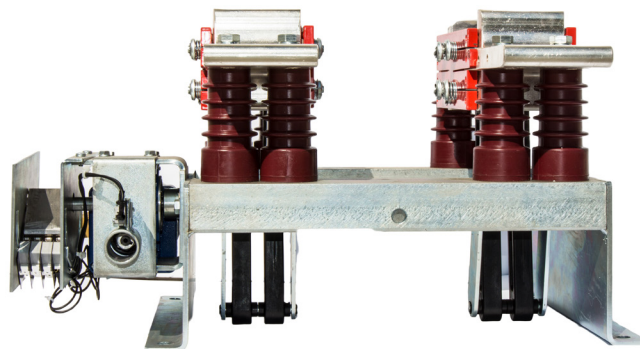


# DC indoor secant disconnecter OWEL

## Application:

OWEL disconnecters are isolating disconnecters designed for closing and opening unloaded circuits in industrial DC current networks. In open position, the disconnecter creates visible and safe isolating clearance. It can be installed and operated in closed spaces, in the temperate of - 5°C up to 40°C.

The device does not need spare parts during the time of 1000 cycles, but on special request the spare parts can be delivered to the customer. The replacement should be coordinated with the ELTOM company.



## Advantages:

- › simple and modular design
- › reliability
- › silver coated contacts
- › good parameters

## Structure:

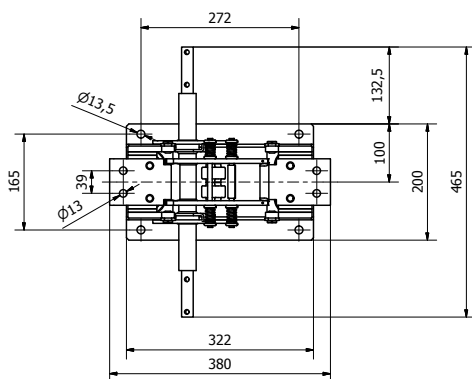
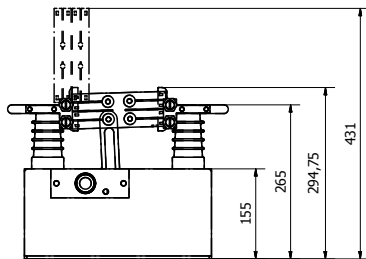
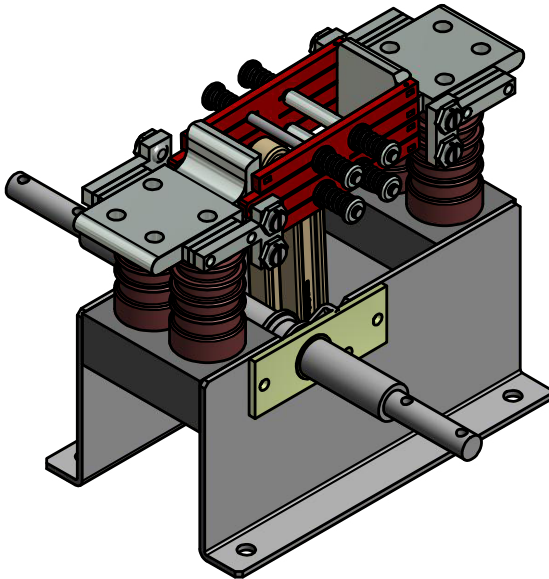
The disconnecters have secant construction. The basis is made of steel and it creates the sub-assembly with the shaft and the limiters of angle of rotation of the shaft. There are signal insulators mounted in the basis, on which there is the busbar. Interpolar insulation is the air gap. Normally, the drive is mounted on the right side of the disconnecter. Disconnecter can operate in vertical or horizontal position.

The disconnecters OWEL 3-31 and OWEL 3-25 comply with the standard PN-93/E-06107.

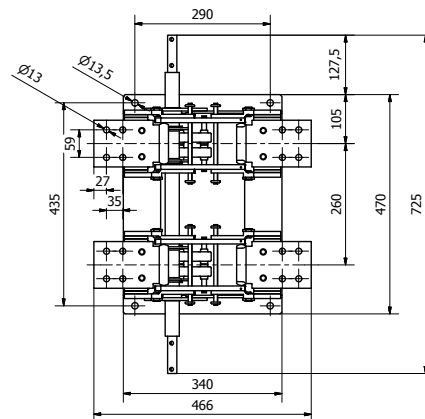
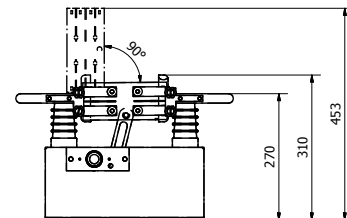
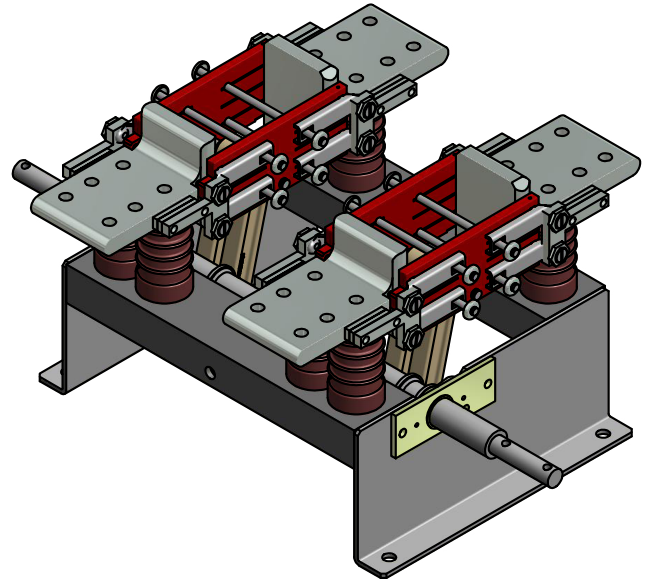
## Technical data:

	OWEL 3-31	OWEL 3-25
RATED CONTINUOUS CURRENT	3150 A	2500 A
RATED VOLTAGE	3,6 kV	
RATED CURRENT 1 s.	20 kA	25 kA
FREQUENCY	50/60 Hz	
OPERATING TEMPERATURE	-5°C up to +40°C	
WEIGHT	30 kg	14 kg

## TECHNICAL DRAWINGS



OWEL I 3-25



OWEL II 3-31